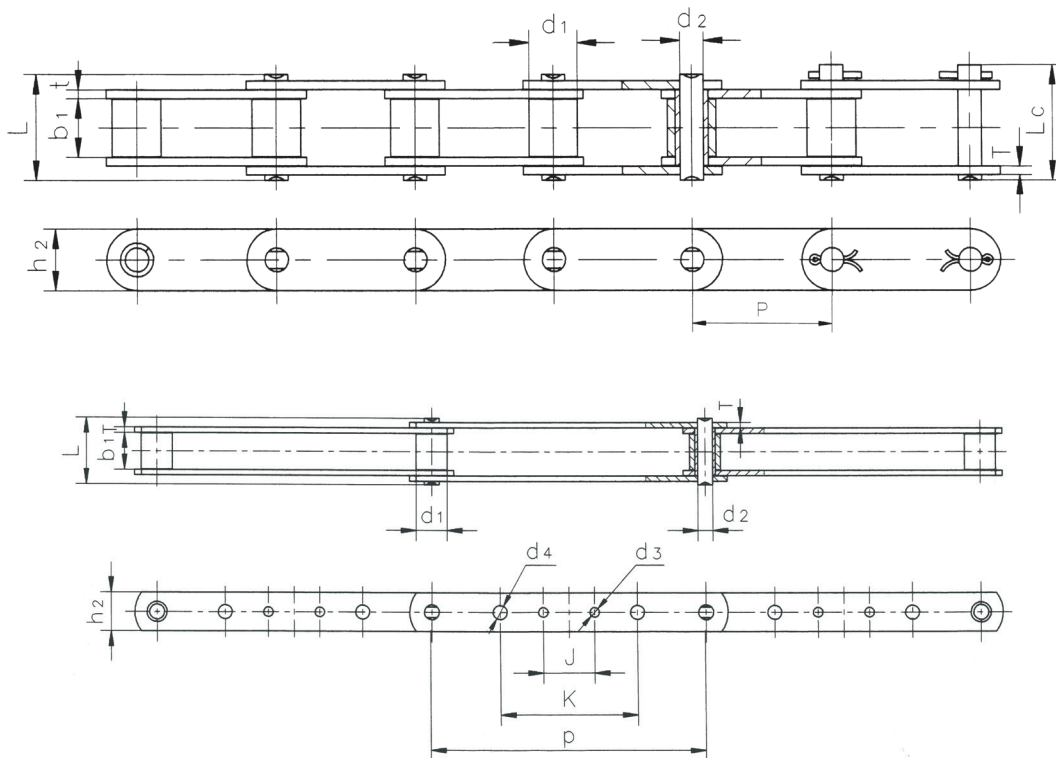


Lumber Conveyor Chains



Chain Number	Pitch (P)	Roller Diameter (d1)	Width between Inner Plate (b1)	Pin Diameter (d2)	Pin Length (L)	Pin Length (Lc)	Inner Plate Depth (h2)	Plate Thickness (T)	Ultimate Tensile Strength (Q)	Average Tensile Strength (Qo)	Weight (q)
	mm	max mm	min mm	max mm	max mm	max mm	max mm	max mm	kN	kN	kg/m
81X	66.270	23.00	27.00	11.10	49.00	53.50	28.50	4.00	106.70	128.9	3.78
81XH	66.270	23.00	27.78	11.10	60.70	65.10	31.35	7.94/5.55	151.90	175.7	5.88
81XHH	6.270	23.00	27.78	11.10	65.60	70.00	31.35	7.94	191.10	212.6	6.70
81XHS	666.270	23.00	27.00	11.10	63.60	68.00	31.80	7.60	152.00	177.2	6.55
500R	50.000	25.40	25.40	14.63	52.00	56.40	40.00	5.00	100.00	114.5	7.13
441.100R	100.000	25.40	25.40	14.63	52.00	56.40	40.00	5.00	100.00	114.5	5.15
3939	203.200	23.00	27.00	11.10	49.00		28.58	4.00	115.58	136.5	2.45