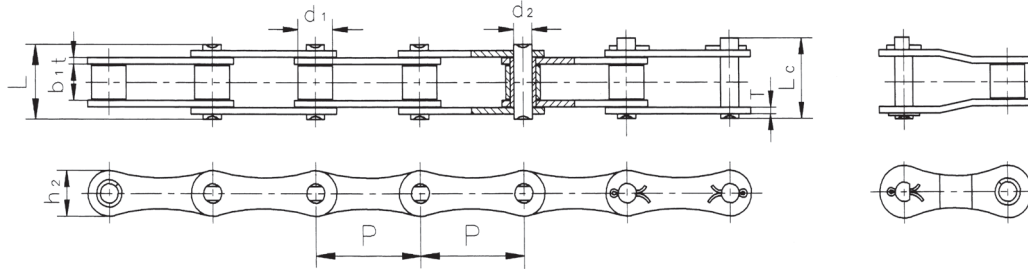
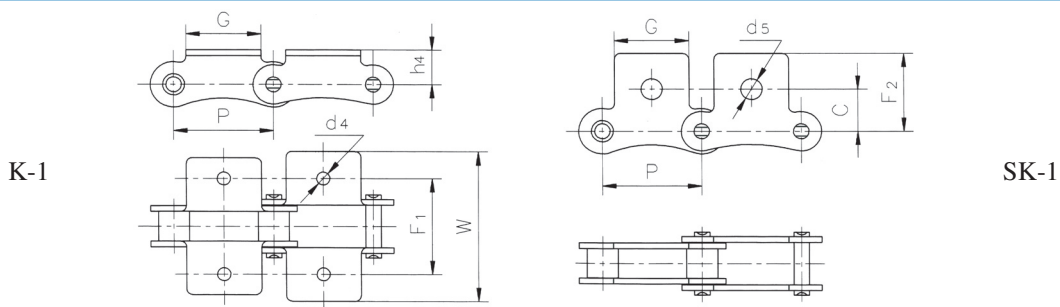


### Double Pitch Transmission Chains & Attachments



| ISO Number | ANSI Number | Pitch (P) | Roller Diameter (d1) | Width between Inner Plate (b1) | Pin Diameter (d2) | Pin Length (L) | Pin Length (Lc) | Inner Plate Depth (h2) | Plate Thickness (T) | Ultimate Tensile Strength (Q) | Average Tensile Strength (Qo) | Weight (q) |
|------------|-------------|-----------|----------------------|--------------------------------|-------------------|----------------|-----------------|------------------------|---------------------|-------------------------------|-------------------------------|------------|
|            |             | mm        | max mm               | min mm                         | max mm            | max mm         | max mm          | max mm                 | max mm              | max mm                        | kN                            | kN         |
| 208A       | 2040        | 25.400    | 7.95                 | 7.85                           | 3.96              | 16.60          | 17.80           | 12.00                  | 1.50                | 14.10                         | 16.7                          | 0.42       |
| 208B       | 2040        | 25.400    | 8.51                 | 7.75                           | 4.45              | 16.70          | 18.20           | 11.80                  | 1.60                | 18.00                         | 19.4                          | 0.45       |
| 210A       | 2050        | 31.750    | 10.16                | 9.40                           | 5.08              | 20.70          | 22.20           | 15.00                  | 2.03                | 22.20                         | 28.1                          | 0.73       |
| 210B       | 2050        | 31.750    | 10.16                | 9.65                           | 5.08              | 19.50          | 20.90           | 14.70                  | 1.70                | 22.40                         | 27.5                          | 0.65       |
| 212A       | 2060        | 38.100    | 11.91                | 12.57                          | 5.94              | 25.90          | 27.70           | 18.00                  | 2.42                | 31.80                         | 36.8                          | 1.02       |
| 212B       | 2060        | 38.100    | 12.07                | 11.68                          | 5.72              | 22.50          | 25.20           | 16.00                  | 1.85                | 29.00                         | 32.2                          | 0.76       |
| 216A       | 2080        | 50.800    | 15.88                | 15.75                          | 7.92              | 32.70          | 36.50           | 24.00                  | 3.25                | 56.70                         | 65.7                          | 1.70       |
| 216AH      | 2080        | 50.800    | 15.88                | 15.75                          | 7.92              | 36.20          | 39.40           | 24.00                  | 4.00                | 56.70                         | 70.0                          | 2.17       |
| 216B       | 2080        | 50.800    | 15.88                | 17.02                          | 8.28              | 36.10          | 39.10           | 21.00                  | 4.15/3.10           | 60.00                         | 72.8                          | 1.75       |
| 220A       | 2100        | 63.500    | 19.05                | 18.90                          | 9.53              | 40.40          | 44.70           | 30.00                  | 4.00                | 88.50                         | 102.6                         | 2.55       |
| 220B       | 2100        | 63.500    | 19.05                | 19.56                          | 10.19             | 41.30          | 45.00           | 26.40                  | 4.50/3.50           | 95.00                         | 106.7                         | 2.62       |
| 224A       | 2120        | 76.200    | 22.23                | 25.22                          | 11.10             | 50.30          | 54.30           | 35.70                  | 4.80                | 127.00                        | 147.3                         | 4.06       |
| 224B       | 2120        | 76.200    | 25.40                | 25.40                          | 14.63             | 53.40          | 57.80           | 33.20                  | 6.00/4.80           | 160.00                        | 178.0                         | 4.70       |
| 228B       | 2120        | 88.900    | 27.94                | 30.99                          | 15.90             | 65.10          | 69.50           | 36.70                  | 7.50/6.00           | 200.00                        | 222.0                         | 6.23       |
| 232B       | 2120        | 101.600   | 29.21                | 30.99                          | 17.81             | 66.00          | 71.00           | 42.00                  | 7.00/6.00           | 250.00                        | 277.5                         | 6.72       |



### Double Pitch Transmission Chain Attachments

| ISO Number | ANSI Number | Pitch  | G     | F1    | W      | h4    | d4    | C     | F2    | d5    |
|------------|-------------|--------|-------|-------|--------|-------|-------|-------|-------|-------|
|            |             | mm     | mm    | mm    | mm     | mm    | mm    | mm    | mm    | kN    |
| 208A       | 2040        | 25.400 | 19.10 | 25.40 | 39.60  | 9.10  | 3.40  | 11.10 | 20.50 | 5.50  |
| 210A       | 2050        | 31.750 | 23.80 | 31.80 | 49.00  | 11.10 | 5.50  | 14.30 | 25.00 | 6.60  |
| 212A       | 2060        | 38.100 | 28.60 | 42.90 | 67.80  | 14.70 | 5.50  | 17.50 | 32.90 | 9.20  |
| 216A       | 2080        | 50.800 | 38.10 | 55.60 | 87.80  | 19.10 | 6.80  | 22.20 | 43.50 | 11.00 |
| 220A       | 2100        | 63.500 | 47.60 | 66.60 | 107.50 | 23.40 | 9.20  | 28.60 | 50.40 | 13.00 |
| 224A       | 2120        | 76.200 | 57.20 | 79.30 | 127.50 | 27.80 | 11.00 | 33.30 | 55.50 | 15.00 |