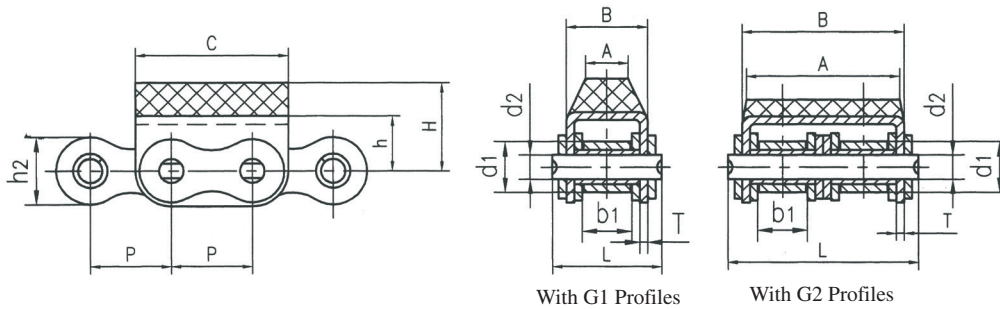
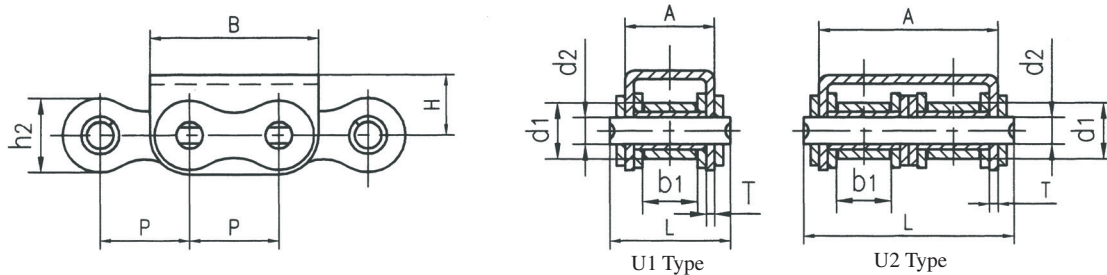


Rubber Top / U Top Attachment Roller Chains



Roller Chain with Vulcanised Elastomer Profiles

Chain Number	Pitch (P) mm	Roller Diameter (d1) max mm	Width between Inner Plate (b1)		Pin Diameter (d2) max mm	Pin Length (L) max mm	Inner Plate Depth (h2) max mm	Plate & Attachment Dimensions					Ultimate Tensile Strength (Q) min kN	Weight (q) kg/m
			min mm	max mm				(A)	(B)	(C)	(h)	(H)		
08B-G1	12.700	8.51	7.75	4.45	20.00	11.80	12.00	14.60	24.20	8.30	12.30	1.60	18.00	1.19
08B-G2	12.700	8.51	7.75	4.45	34.30	11.80	24.00	28.40	24.20	8.30	12.30	1.50	32.00	2.07
10B-G1	15.875	10.16	9.65	5.08	23.20	14.70	13.50	16.80	30.00	11.30	17.00	1.70	22.40	1.62
10B-G2	15.875	10.16	9.65	5.08	39.70	14.70	13.50	33.30	30.00	11.30	17.00	1.70	44.50	2.56
12B-G1	19.050	12.07	11.68	5.72	25.70	16.00	10.00	19.60	36.00	13.00	21.00	1.85	29.00	2.01
12B-G2	19.050	12.07	11.68	5.72	45.30	16.00	10.00	39.10	36.00	12.00	16.00	1.85	57.80	3.21
16A-G1	25.400	15.88	15.75	7.92	37.20	24.00	23.60	27.50	46.00	16.00	20.00	2.42	42.00	3.97
20B-G1	31.750	19.05	19.56	10.19	48.00	26.40	30.00	36.00	57.00	21.00	27.00	3.50	66.50	6.19
24B-G1	38.100	25.40	25.40	14.63	61.60	33.20	44.00	47.00	72.60	28.00	34.00	4.50	112.00	11.85



Roller Chain with U Type Attachments

Chain Number	Pitch (P) mm	Roller Diameter (d1) max mm	Width between Inner Plate (b1)		Pin Diameter (d2) max mm	Pin Length (L) max mm	Inner Plate Depth (h2) max mm	Plate & Attachment Dimensions				Ultimate Tensile Strength (Q) min kN	Weight (q) kg/m
			min mm	max mm				(A)	(B)	(H)	(T)		
08B-U1	12.700	8.51	7.75	4.45	20.00	11.80	14.60	24.20	8.30	1.60	18.00	1.13	
08B-U2	12.700	8.51	7.75	4.45	34.30	11.80	28.40	24.20	8.30	1.50	32.00	1.96	
10B-U1	15.875	10.16	9.65	5.08	23.20	14.70	16.80	30.00	11.30	1.70	22.40	1.53	
10B-U2	15.875	10.16	9.65	5.08	39.70	14.70	33.30	30.00	11.30	1.70	44.50	2.47	
12B-U1	19.050	12.07	11.68	5.72	25.70	16.00	19.60	36.00	13.00	1.85	29.00	1.90	
12B-U2	19.050	12.07	11.68	5.72	45.30	16.00	39.10	36.00	12.00	1.85	57.80	3.03	
16A-U1	25.400	15.88	15.75	7.92	37.20	24.00	27.50	46.00	16.00	2.42	42.00	3.87	
20B-U1	31.750	19.05	19.56	10.19	48.00	26.40	36.00	57.00	21.00	3.50	66.50	6.01	
24B-U1	38.100	25.40	25.40	14.63	61.60	33.20	47.00	72.60	28.00	4.50	112.00	11.57	