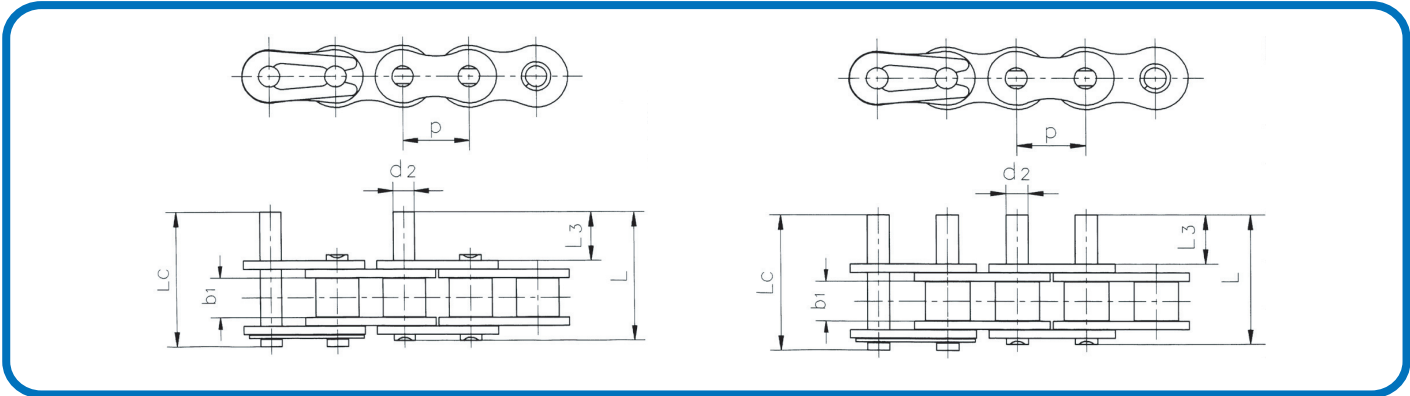


### Short Pitch Conveyor Chains with Attachments



ISO Number	ANSI Number	Pitch	b1	d2	L3	L	Lc
		mm	mm	mm	mm	mm	mm
06C-1	35	9.525	4.77	3.58	9.50	20.80	21.60
08A-1	40	12.700	7.85	3.96	9.50	25.10	26.20
10A-1	50	15.875	9.40	5.08	11.90	31.30	33.10
12A-1	60	19.050	12.57	5.94	14.30	38.60	40.60
16A-1	80	25.400	15.75	7.92	19.10	50.30	53.30
20A-1	100	31.750	18.90	9.53	23.80	61.80	66.10
24A-1	120	38.100	25.22	11.10	28.60	76.40	80.40
28A-1	140	44.450	25.22	12.70	33.30	84.80	89.40
32A-1	160	50.800	31.55	14.27	38.10	99.60	104.40
08B-1		12.700	7.75	4.45	9.50	25.10	26.60
10B-1		15.875	9.65	5.08	11.90	30.10	31.50
12B-1		19.050	11.68	5.72	14.30	35.40	37.10
16B-1		25.400	17.02	8.28	19.10	53.00	54.30

More Attachments Available as per your requirement

