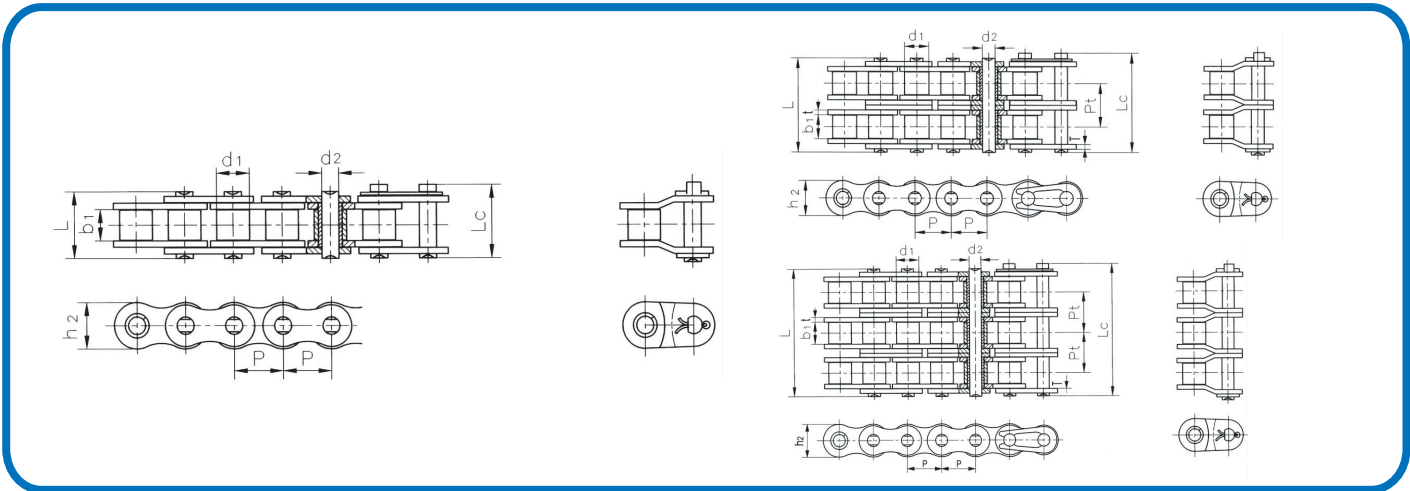


BS Short Pitch Precision Roller Chains



ISO Number	Pitch (P)	Roller Diameter (d1)	Width between Inner Plate (b1)	Pin Diameter (d2)	Pin Length (L)	Pin Length (Lc)	Inner Plate Depth (h2)	Plate Thickness (t/T)	Transverse Pitch (Pt)	Ultimate Tensile Strength (Q)	Average Tensile Strength (Qo)	Weight (q)
	mm	max mm	min mm	max mm	max mm	max mm	max mm	max mm	mm	min kN	kN	kg/m
04B-1	6.000	4.00	2.80	1.85	6.80	7.80	5.00	0.60	-	3.00	3.2	0.11
05B-1	8.000	5.00	3.00	2.31	8.20	8.90	7.10	0.80	-	5.00	5.9	0.20
*06B-1	9.525	6.35	5.72	3.28	13.15	14.10	8.20	1.30	-	9.00	10.4	0.41
08B-1	12.700	8.51	7.75	4.45	16.70	18.20	11.80	1.60	-	18.00	19.4	0.69
10B-1	15.875	10.16	9.65	5.08	19.50	20.90	14.70	1.70	-	22.40	27.5	0.93
12B-1	19.050	12.07	11.68	5.72	22.50	24.20	16.00	1.85	-	29.00	32.2	1.15
16B-1	25.400	15.88	17.02	8.28	36.10	37.40	21.00	4.15/3.10	-	60.00	72.8	2.71
20B-1	31.750	19.05	19.56	10.19	41.30	45.00	26.40	4.50/3.50	-	95.00	106.7	3.70
24B-1	38.100	25.40	25.40	14.63	53.40	57.80	33.20	6.00/4.80	-	160.00	178.0	7.10
28B-1	44.450	27.94	30.99	15.90	65.10	69.50	36.70	7.50/6.00	-	200.00	222.0	8.50
32B-1	50.800	29.21	30.99	17.81	66.00	71.00	42.00	7.00/6.00	-	250.00	277.5	10.25
40B-1	63.500	39.37	38.10	22.89	82.20	89.20	52.96	8.50/8.00	-	355.00	394.0	16.35
48B-1	76.200	48.26	45.72	29.24	99.10	107.00	63.80	12.0/10.0	-	560.00	621.6	25.00
05B-2	8.000	5.00	3.00	2.31	13.90	14.50	7.10	0.80	5.64	7.80	10.2	0.33
*06B-2	9.525	6.35	5.72	3.28	23.40	24.40	8.20	1.30	10.24	16.90	18.7	0.77
08B-2	12.700	8.51	7.75	4.45	31.20	32.20	11.80	1.60	13.92	32.00	38.7	1.34
10B-2	15.875	10.16	9.65	5.08	36.10	37.50	14.70	1.70	16.59	44.50	56.2	1.84
12B-2	19.050	12.07	11.68	5.72	42.00	43.60	16.00	1.85	19.46	57.80	66.1	2.31
16B-2	25.400	15.88	17.02	8.28	68.00	69.30	21.00	4.15/3.10	31.88	106.00	133.0	5.42
20B-2	31.750	19.05	19.56	10.19	77.80	81.50	26.40	4.50/3.50	36.45	170.00	211.2	7.20
24B-2	38.100	25.40	25.40	14.63	101.70	106.20	36.70	6.00/4.80	48.36	280.00	319.2	13.40
28B-2	44.450	27.94	30.99	15.90	124.60	129.10	33.20	7.50/6.00	59.56	360.00	406.8	16.60
32B-2	50.800	29.21	30.99	17.81	124.60	129.60	42.00	7.00/6.00	58.55	450.00	508.5	21.00
40B-2	63.500	39.37	38.10	22.89	154.50	161.50	52.96	8.50/8.00	72.29	630.00	711.9	32.00
48B-2	76.200	48.26	45.72	29.24	190.40	198.20	63.80	12.0/10.0	91.21	1,000.00	1,130.0	50.00
05B-3	8.000	5.00	3.00	2.31	19.50	20.20	7.10	0.80	5.64	11.10	13.8	0.48
*06B-3	9.525	6.35	5.72	3.28	33.50	34.60	8.20	1.30	10.24	24.90	30.1	1.16
08B-3	12.700	8.51	7.75	4.45	45.10	46.10	11.80	1.60	13.92	47.50	57.8	2.03
10B-3	15.875	10.16	9.65	5.08	52.70	54.10	14.70	1.70	16.59	66.70	84.5	2.77
12B-3	19.050	12.07	11.68	5.72	61.50	63.10	16.00	1.85	19.46	86.70	101.8	3.46
16B-3	25.400	15.88	17.02	8.28	99.80	101.20	21.00	4.15/3.10	31.88	160.00	203.7	8.13
20B-3	31.750	19.05	19.56	10.19	114.20	117.90	26.40	4.50/3.50	36.45	250.00	290.0	10.82
24B-3	38.100	25.40	25.40	14.63	150.10	154.60	33.20	6.00/4.80	48.36	425.00	493.0	20.10
28B-3	44.450	27.94	30.99	15.90	184.20	188.70	36.70	7.50/6.00	59.56	530.00	609.5	24.92
32B-3	50.800	29.21	30.99	17.81	183.20	188.20	42.00	7.00/6.00	58.55	670.00	770.5	31.56
40B-3	63.500	39.37	38.10	22.89	26.80	233.80	52.96	8.50/8.00	72.29	950.00	1,092.5	48.10
48B-3	76.200	48.26	45.72	29.24	281.60	289.40	63.80	12.0/10.0	91.21	1,500.00	1,710.0	75.00

* Straight side plates.