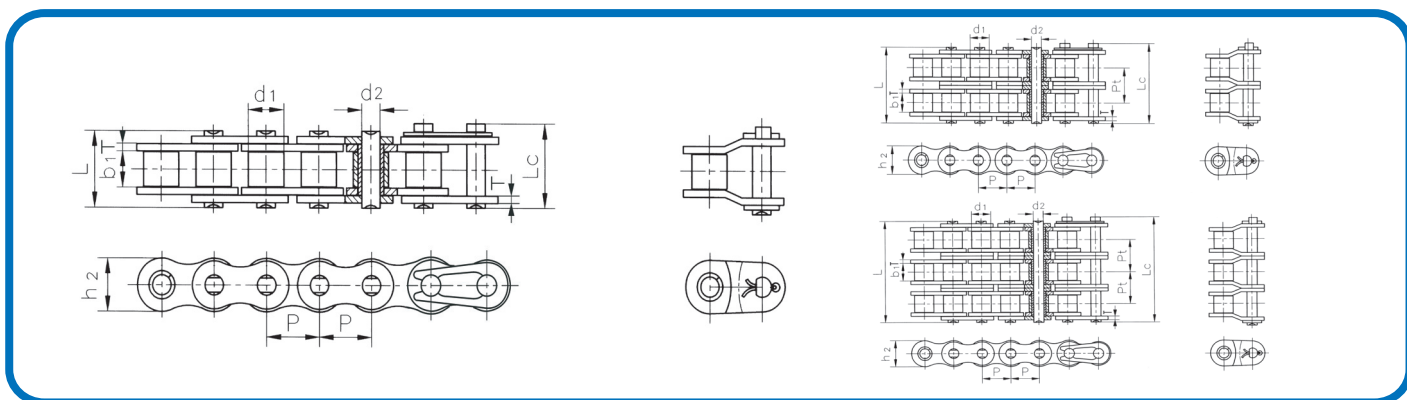


ANSI Short Pitch Precision Roller Chains



ISO Number	ANSI Number	Pitch (P)	Roller Diameter (d1)	Width between Inner Plate (b1)	Pin Diameter (d2)	Pin Length (L)	Pin Length (Lc)	Inner Plate Depth (h2)	Plate Thickness (T)	Transverse Pitch (Pt)	Ultimate Tensile Strength (Q)	Average Tensile Strength (Qo)	Weight (q)
		mm	max mm	min mm	max mm	max mm	max mm	max mm	max mm	mm	min kN	kN	kg/m
*03C	*15	4.763	2.48	2.38	1.62	6.10	6.90	4.30	0.60	-	1.80	2.0	0.08
*04C-1	*25	6.350	3.30	3.18	2.31	7.90	8.40	6.00	0.80	-	3.50	4.6	0.15
*06C-1	*35	9.525	5.08	4.77	3.58	12.40	13.17	9.00	1.30	-	7.90	10.8	0.33
085-1	41	12.700	7.77	6.25	3.58	13.75	15.00	9.91	1.30	-	6.67	12.6	0.41
08A-1	40	12.700	7.95	7.85	3.96	16.60	17.80	12.00	1.50	-	14.10	17.5	0.62
10A-1	50	15.875	10.16	9.40	5.08	20.70	22.20	15.09	2.03	-	22.20	29.4	1.02
12A-1	60	19.050	11.91	12.57	5.94	25.90	27.70	18.00	2.42	-	31.80	41.5	1.50
16A-1	80	25.400	15.88	15.75	7.92	32.70	35.00	24.00	3.25	-	56.70	69.4	2.60
20A-1	100	31.750	19.05	18.90	9.53	40.40	44.70	30.00	4.00	-	88.50	109.2	3.91
24A-1	120	38.100	22.23	25.22	11.10	50.30	54.30	35.70	4.80	-	127.00	156.3	5.62
28A-1	140	44.450	25.40	25.22	12.70	54.40	59.00	41.00	5.60	-	172.40	212.0	7.50
32A-1	160	50.800	28.58	31.55	14.27	64.80	69.60	47.80	6.40	-	226.80	278.9	10.10
36A-1	180	57.150	35.71	35.48	17.46	72.80	78.60	53.60	7.20	-	280.20	341.8	13.45
40A-1	200	63.500	39.68	37.85	19.85	80.30	87.20	60.00	8.00	-	353.80	431.6	16.15
48A-1	240	76.200	47.63	47.35	23.81	95.50	103.00	72.39	9.50	-	510.30	622.5	23.20
*04C-2	*25-2	6.350	3.30	3.18	2.31	14.50	15.00	6.00	0.80	6.40	7.00	8.6	0.28
*06C-2	*35-2	9.525	5.08	4.77	3.58	22.50	23.30	9.00	1.30	10.13	15.80	19.7	0.63
085-2	41-2	12.700	7.77	6.25	3.58	25.70	26.90	9.91	1.30	11.95	13.34	16.9	0.81
08A-2	40-2	12.700	7.95	7.85	3.96	31.00	32.20	12.00	1.50	14.38	28.20	35.9	1.12
10A-2	50-2	15.875	10.16	9.40	5.08	38.90	40.40	15.09	2.03	18.11	44.40	58.1	2.00
12A-2	60-2	19.050	11.91	12.57	5.94	48.80	50.50	18.00	2.42	22.78	63.60	82.1	2.92
16A-2	80-2	25.400	15.88	15.75	7.92	62.70	64.30	24.00	3.25	29.29	113.40	141.8	5.15
20A-2	100-2	31.750	19.05	18.90	9.53	76.40	80.50	30.00	4.00	35.76	177.00	219.4	7.80
24A-2	120-2	38.100	22.23	25.22	11.10	95.80	99.70	35.70	4.80	45.44	254.00	314.9	11.70
28A-2	140-2	44.450	25.40	25.22	12.70	103.30	107.90	41.00	5.60	48.87	344.80	427.5	15.14
32A-2	160-2	50.800	28.58	31.55	14.27	123.30	128.10	47.80	6.40	58.55	453.60	562.4	20.14
36A-2	180-2	57.150	35.71	35.48	17.46	138.60	144.40	53.60	7.20	65.84	560.50	695.0	29.22
40A-2	200-2	63.500	39.68	37.85	19.85	151.90	158.80	60.00	8.00	71.55	707.60	877.4	32.24
48A-2	240-2	76.200	47.63	47.35	23.81	183.40	190.80	72.39	9.50	87.83	1,020.60	1,255.3	45.23
*04C-3	*25-3	6.350	3.30	3.18	2.31	21.00	21.50	6.00	0.80	6.40	10.50	12.6	0.44
*06C-3	*35-3	9.525	5.08	4.77	3.58	32.70	33.50	9.00	1.30	10.13	23.70	28.6	1.05
08A-3	40-3	12.700	7.95	7.85	3.96	45.40	46.60	12.00	1.50	14.38	42.30	50.0	1.90
10A-3	50-3	15.875	10.16	9.40	5.08	57.00	58.50	15.09	2.03	18.11	66.60	77.8	3.09
12A-3	60-3	19.050	11.91	12.57	5.94	71.50	73.30	18.00	2.42	22.78	95.40	111.1	4.54
16A-3	80-3	25.400	15.88	15.75	7.92	91.70	93.60	24.00	3.25	29.29	170.10	198.4	7.89
20A-3	100-3	31.750	19.05	18.90	9.53	112.20	116.30	30.00	4.00	35.76	265.50	309.6	11.77
24A-3	120-3	38.100	22.23	25.22	11.10	141.40	145.20	35.70	4.80	45.44	381.00	437.2	17.53
28A-3	140-3	44.450	25.40	25.22	12.70	152.20	156.80	41.00	5.60	48.87	517.20	593.3	22.20
32A-3	160-3	50.800	28.58	31.55	14.27	181.80	186.60	47.80	6.40	58.55	680.40	780.6	30.02
36A-3	180-3	57.150	35.71	35.48	17.46	204.40	210.20	53.60	7.20	65.84	840.70	983.6	38.22
40A-3	200-3	63.500	39.68	37.85	19.85	223.50	230.40	60.00	8.00	71.55	1,061.40	1,217.8	49.03
48A-3	240-3	76.200	47.63	47.35	23.81	271.30	278.60	72.39	9.50	87.83	1,530.90	1,756.5	71.60

* Bushing Chain: d1 in the table indicate the external diameter of the bushing.